

Product: TABLE

This table of important thickness starts from the salvage of veneer from old houses, mixed with design and craftsmanship of materials.

Four sturdy legs at corners of the table hold up a surface with modelled edges.

Available in Natural Oak or Terra Old Oak solid wood.



TECHNICAL FEATURES

Structure: the structure is made by top and legs in solid wood.

Available both in square and rectangular version.

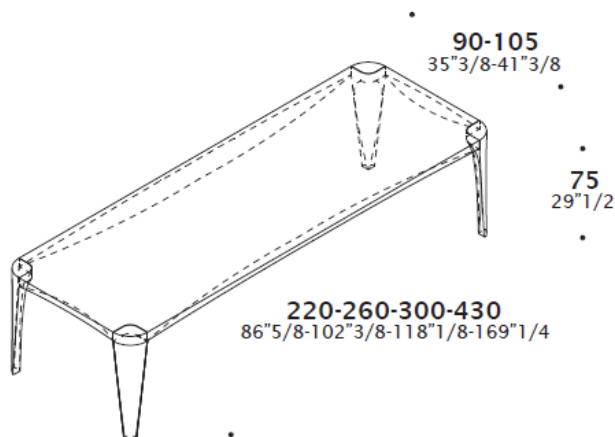
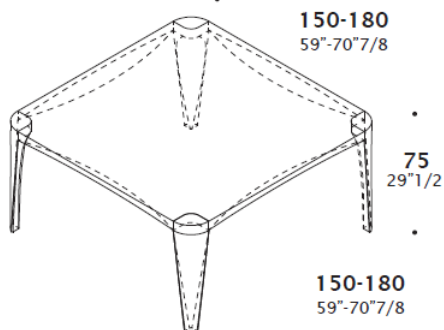


FINISHES

Structure:

Solid wood: Natural Oak solid wood or Terra Old Oak solid wood.

DIMENSIONS



Options:

- W220 + D90 + H75
- W260 + D90 + H75
- W300 + D105 + H75
- W430 + D105 + H75